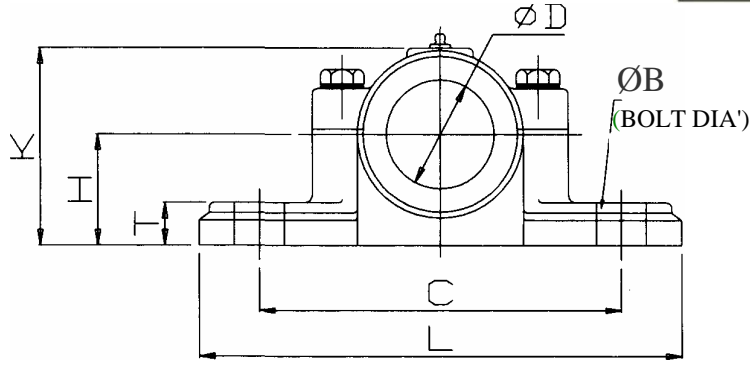
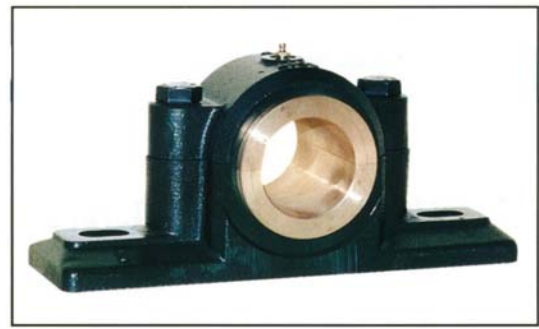


S- TYPE

RIGID PLUMMER BLOCKS WITH SPLIT GUNMETAL BEARINGS GENERAL PURPOSE

This range of 'S' type Plummer Blocks offers an inexpensive means of supporting a rotating shaft, giving excellent load capacity and wear characteristics. All sizes have 1/8" BSP grease nipple.

This range has fully machined bearings and recommended for use where replacement brasses may be required.



D INCH	PART No	MARK	DIMENSION INCHES								B (MM)	WEIGHT (Kg)
			E	A	L	C	H	K	W	T		
1 7/8	SX30E	A900	3	2 3/4	10	7 1/4	2 1/4	4 1/8	2 1/2	15/16	M16	4.3
2	SX32E	A900	3	2 3/4	10	7 1/4	2 1/4	4 1/8	2 1/2	15/16	M16	4.3
2 1/8	SX34E	A904	3 3/8	3 1/8	11	8 3/8	2 1/2	4 9/16	2 7/8	1	M16	5.7
2 3/16	SX35E	A904	3 3/8	3 1/8	11	8 3/8	2 1/2	4 9/16	2 7/8	1	M16	5.7
2 1/4	SX36E	A904	3 3/8	3 1/8	11	8 3/8	2 1/2	4 9/16	2 7/8	1	M16	5.7
2 3/8	SX38E	A908	3 3/4	3 1/8	12	9	2 3/4	5	3 1/8	1 1/16	M16	7.7
2 1/2	SX40E	A908	3 3/4	3 1/8	12	9	2 3/4	5	3 1/8	1 1/16	M16	7.7
2 3/4	SX44E	A912	4 1/8	3 3/4	13	9 3/4	3	5 1/2	3 1/2	1 1/8	M20	10.9
2 15/16	SX47E	A916	4 1/2	4 1/8	14	10 1/2	3 1/4	6	3 3/4	1 3/16	M20	13.6
3	SX48E	A916	4 1/2	4 1/8	14	10 1/2	3 1/4	6	3 3/4	1 3/16	M20	13.6
3 1/2	SX56E	A920	5 1/4	4 3/4	16	12 1/4	3 3/4	7	4 1/2	1 1/2	M20	18.2
3 3/4	SX60E	A924	6	5 1/2	17 1/2	13 1/2	4 1/4	8 1/8	5	1 5/8	M20	28.0
4	SX64E	A924	6	5 1/2	17 1/2	13 1/2	4 1/4	8 1/8	5	1 5/8	M20	28.0

D MM	PART No	MARK	DIMENSION mm								B (MM)	WEIGHT (Kg)
			E	A	L	C	H	K	W	T		
50	SX50M	A900	76	70	255	185	57.2	105	64	24	M16	4.3
55	SX55M	A904	85	80	280	213	63.5	116	72	25	M16	5.7
60	SX60M	A908	95	89	305	230	70	127	80	27	M16	7.7
65	SX65M	A908	95	89	305	230	70	127	80	27	M16	7.7
70	SX70M	A912	105	95	330	250	76.2	140	90	30	M20	10.9
75	SX75M	A916	115	105	355	265	82.6	152	95	30	M20	13.6
80	SX80M	A916	115	105	355	265	82.6	152	95	30	M20	13.6
85	SX85M	A920	133	120	405	310	95.5	178	115	38	M20	18.2
90	SX90M	A920	133	120	405	310	95.5	178	115	38	M20	18.2
95	SX95M	A924	152	140	445	345	108	206	127	40	M20	28.0
100	SX100M	A924	152	140	445	345	108	206	127	40	M20	28.0

Specials available - any material - metric sizes as standard. Customised versions of these units can be supplied - Specials made to order. Non metallic bushes or non standard bore sizes - no problem.