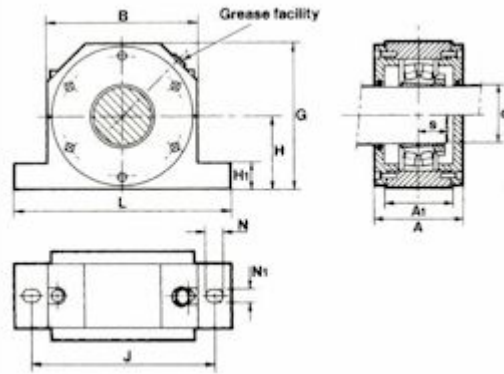
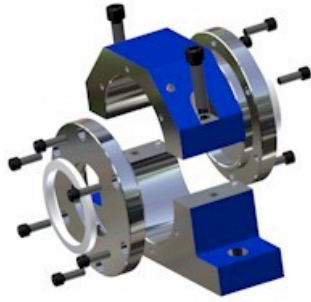


## FLAME CUT STEEL BEARING HOUSINGS. Fully interchangeable with SN style bearing housings.

End covers are not split on this unit. If fully split units are required order as FC5xxSS.  
Can be 2 or 4 bolt.  
Ends can be milled for ease of assembly & repeatability.



Machined to receive bearings with adapter sleeves. Can be machined for 2 or 4 bolt fixings.

Shaft Dia d		Type	H	J	N1	N	A	L	A1	H1	B	G	S	Bearing	Adapter Sleeve	Locating Rings	
(mm)	(Inches)															No	Designation
45		FC 510S	60	170	15	20	90	205	60	25	120	116		1210	H 210	2	FRB 10.5/90
														2210	H310	2	FRB 9/90
														22210	H 310	2	FRB 9/90
50	1 15/16, 2	FC 511S	70	210	18	23	90	255	60	28	160	140	28	1211	H 211	2	FRB 11.5/100
														2211	H311	2	FRB 9.5/100
														22211	H 311	2	FRB 9.5/100
55		FC 512S	70	210	18	23	95	255	65	30	170	140	30	1212	H212	2	FRB 13/110
														2212	H312	2	FRB 10/1110
														22212	H312	2	FRB 10/110
60	2 3/16, 2 1/4	FC 513S	80	230	18	23	105	275	70	30	190	160	33	1213	H213	2	FRB 14/120
														2213	H313	2	FRB 10/120
														22213	H313	2	FRB 10/120
65	2 7/16, 2 1/2	FC 515S	80	230	18	23	105	280	70	30	190	160	34	1215	H215	2	FRB 15.5/130
														2215	H315	2	FRB 12.5/130
														22215	H315	2	FRB 12.5/130
70	2 11/16, 2 3/4	FC 516S	95	260	22	27	110	315	75	32	210	190	37	1216	H216	2	FRB 16/140
														2216	H316	2	FRB 12.5/140
														22216	H316	2	FRB 12.5/140
75	2 15/16, 3	FC 517S	95	260	22	27	115	320	85	32	210	190	40	1217	H217	2	FRB 16.5/150
														2217	H317	2	FRB 12.5/150
														22217	H317	2	FRB 12.5/150
80	3 3/16	FC 518S	100	290	22	27	130	345	95	35	235	220	47	1218	H218	2	FRB 17.5/160
														2218	H318	2	FRB 12.5/160
														22218	H318	2	FRB 12.5/160
														23218	H2318	2	FRB 6.25/160
85	3 5/16, 3 1/4	FC 519S	112	290	22	27	135	345	95	35	235	222	45	1219	H 219	2	FRB 18/170
														2219	H 319	2	FRB 12.5/170
														22219	H 319	2	FRB 12.5/170
90	3 7/16, 3	FC 520S	112	320	26	32	145	380	105	40	260	222	53	1222	H220	2	FRB 18/180
														2222	H320	2	FRB 12/180
														22222	H320	2	FRB 12/180
														23222	H2320	2	FRB 4.85/180
100	3 15/16, 4	FC 522S	125	350	26	32	155	410	110	45	290	250	58	1224	H222	2	FRB 21/200
														2222	H322	2	FRB 13.5/200
														23224	H322	2	FRB 13.5/200
														22226	H2322	2	FRB 5.1/200
110	4 3/16, 4 1/4	FC 524S	140	350	26	32	170	410	120	45	120	280	62	23226	H3124	2	FRB 22/215
														22228	H3124	2	FRB 14/215
														23228	H2324	2	FRB 10/215
115	4 7/16, 4 1/2	FC 526S	150	380	28	35	180	445	130	50	320	300	65	22230	H3126	2	FRB 5/230
														23230	H 2326	2	FRB 15/5/230
125	4 15/16, 5	FC 528S	150	420	35	42	190	500	135	50	350	305	70	22232	H 3128	2	FRB 15/250
														23232	H 2328	2	FRB 5/250
135	5 3/16, 5 1/4	FC 530S	160	450	35	42	200	530	145	60	370	325	76	1222	H 3130	2	FRB 16.5/270
														2222	H2330	2	FRB 16.5/270
140	5 7/16, 5 1/2	FC 532S	170	470	35	42	220	550	160	600	390	345	82	22222	H3132	2	FRB 17/290
														23222	H2332	2	FRB 5/290