

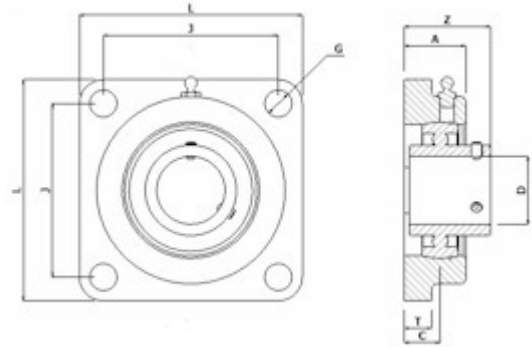
# UCF 200 Series

## STEEL SQUARE FLANGE UNITS

**Guaranteed against breakage.**

**Heavy-duty steel housings for self aligning ball bearing inserts.**

**For use in arduous conditions where cast iron units break due to shock or vibration.**



Unit No	Size imp	Size mm	Hsg only	Brg no	Øsph	L	J	A	T	C	Z	BOLT G
UCF206T-17E UCF206T-18E UCF206T-30M	1 1/16 1 1/8	30	F206T	UC206-17 UC206-18 UC206	62	108	83	31	13	15.9	33.3	M12
UCF207T-20E UCF207T-21E UCF207T-22E UCF207T-35M UCF207T-23E	1 1/4 1 5/16 1 1/4 1 7/16	35	F207T	UC207-20 UC207-21 UC207-22 UC207 UC207-23	72	117	92	34	15	17.5	93	M12
UCF208T-24E UCF208T-25E UCF208T-40M	1 1/2 1 9/16	40	F208T	UC208-24 UCX07-23 UCX07-24	80	130	102	36	15	49.2	91.2	M12
UCF209T-26E UCF209T-27E UCF209T-28E UCF209T-45M	1 5/8 1 11/16 1 3/4	45	F209T	UC209-26 UC209-27 UC209-28 UC209	85	137	105	38	16	54	146	M12
UCF210T-29E UCF210T-30E UCF210T-31E UCF210T-50M	1 13/16 1 7/8 1 15/16	50	F210T	UC210-29 UC210-30 UC210-31 UC210	90	143	111	40	16	57.2		M16
UCF211T-32E UCF211T-33E UCF211T-34E UCF211T-55M UCF211T-35E	2 2 1/16 2 1/8 2 3/16	55	F211T	UC211-32 UC211-33 UC211-34 UC211 UC211-35	100	162	130	43	18	63.5	129.5	M16
UCF212T-36E UCF212T-37E UCF212T-60M UCF212-38E	2 1/4 2 3/16 2 3/8	60	F212T	UC212-36 UC212-37 UC212 UC212-38	110	175	143	48	18	69.85	143	M20
UCF213T-40E UCF213T-65M	2 1/2	65	F213T	UC213-40 UC213	120	187	149	50	22	76.2	150	M20
UCF214T-43E UCF214T-44 UCF214T-70M	2 11/16 2 3/4	70	F214T	UC214-43 UC214-44 UC214	125	193	152	54	22	79.4	159	M20
UCF215T-46E UCF215T-47E UCF215T-75M UCF215T-48E	2 7/8 2 15/16 3	75	F215T	UC215-46 UC215-47 UC215 UC215-48	130	200	159	56	22	82.6	162.6	M24
UCFX16T-80M		80	F216T	UC216	140	208	165	58	22	88.9	184	M24
UCF217T-52E UCF217-85M	3 1/4	85	F217T	UC217-52 UC217	150	220	175	63	24	95.2	185	M24
UCF218T-56E UCFX17T-55E	3 1/2 3 7/16		F218T	UC218-56 UCX17-55	160	235	187	68	25	101.6	210	M24