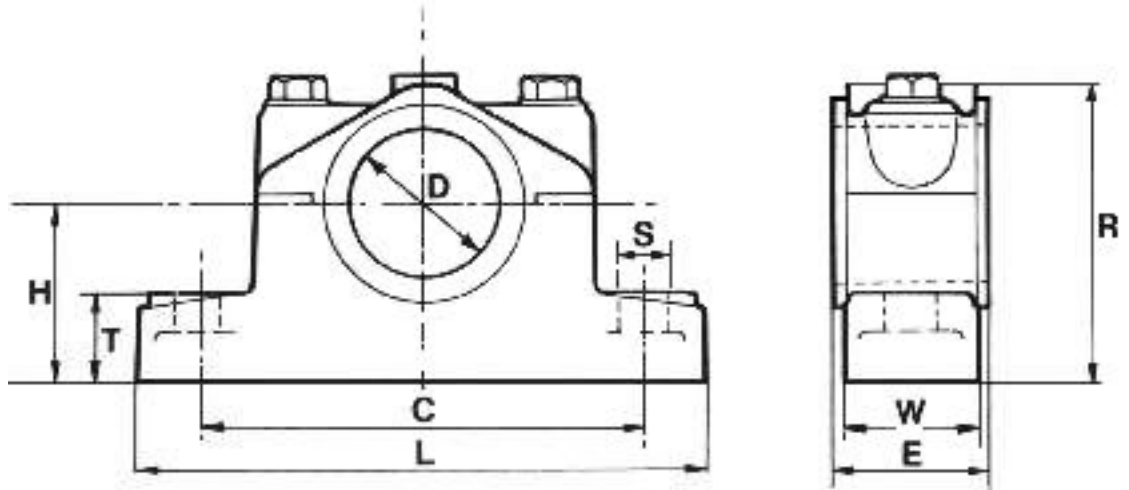


**DIN505  
MEDIUM DUTY  
PLUMMER  
BLOCK. (2 Bolt)**

**Fully split cast iron housing with split gunmetal bearing, suitable for grease lubrication. Replacement shells can easily be fitted**



**Metric Dimensions are shown but all bearings can be supplied in Imperial sizes.** All bearings in the Arvis ranges follow a similar system for ordering. The first two or three characters describe the range followed by the shaft size i.e. 50M. Imperial sizes are measured in 1/16" i.e. 16E = 1". Sample ordering. DN5-60M (for a 60mm shaft) - DN5-48E (for a 3" shaft) Note xx = shaft size.

mm	CODE	ARVIS REF	CAST NO	E	L	C	H	R	W	T	B Bolt Dia	S	Weight
25	DIN505-25M	DN5-25M	A1101/2	45	165	125	40	85	40	22	M12	15	2.5
30	DIN505-30M	DN5-30M											
35	DIN505-35M	DN5-35M	A1105/6	50	180	140	50	100	45	25	M12	15	4.0
40	DIN505-40M	DN5-40M											
45	DIN505-45M	DN5-45M	A1109/10	55	210	160	60	120	50	30	M16	19	5.0
50	DIN505-50M	DN5-50M											
55	DIN505-55M	DN5-55M	A1113/4	60	225	175	70	140	55	35	M16	19	8.0
60	DIN505-60M	DN5-60M											
65	DIN505-65M	DN5-65M	A1117/8	65	270	210	80	160	60	40	M20	24	12.0
70	DIN505-70M	DN5-70M											
75	DIN505-75M	DN5-75M	A1121/2	75	290	230	90	180	70	45	M20	24	17.0
80	DIN505-80M	DN5-80M											
90	DIN505-90M	DN5-90M	A1125/6	85	330	265	100	170	80	50	M24	28	22.0
100	DIN505-100M	DN5-100M	A1129/30	95	355	290	110	220	90	55	M24	28	26.0
110	DIN505-110M	DN5-110M											
120	DIN505-120M	DN5-120M	A1133/4	110	420	340	130	260	100	60	M30	35	29.2
125	DIN505-125M	DN5-125M											
130	DIN505-130M	DN5-130M											
140	DIN505-140M	DN5-140M	A1137/8	125	440	360	150	300	120	65	M30	35	39.0
150	DIN505-150M	DN5-150M											