

4" to 6" 100 mm to 150 mm

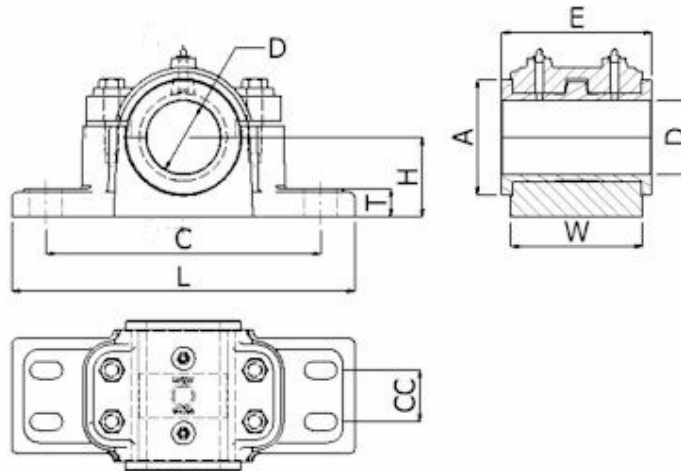
NON SELF OILING GUNMETAL HEAVY DUTY PLUMMER BLOCKS

Non-Self-Oiling plummer blocks,

This Engineers range of split brass rigid heavy duty plain bearings were originally produced and designed by Christy Hunt of Colchester, All design drawings and stock were purchased by Criptic Arvis.

The Gunmetal split inserts are precision machined and fitted into the cast iron housings. The gunmetal inserts are replaceable without the need to replace the housing.

NOTE: These units were originally made to inch dimensions. The same castings are used for imperial & metric sizes and the '2 times' rule applies only to the inch dimensions. Therefore, the distances through the metric bores are 2 times the inch sizes



Inch	MM		L	E	A	L	C	CC	H	W	T	B (MM)	Weight Kg	Grease nipple
4	100	EN64E EN100M	S3837	8 205	6 1/4 155	18 1/4 465	14 3/4 370	2 3/4 70	4 1/4 108	6 1/4 155	1 1/2 40	M20	53.5	2 x 1/4
4 1/2	115	EN72E EN115M	S3841	9 230	6 3/4 170	19 3/4 500	16 3/4 150	3 75	4 3/4 121	6 13/16 175	1 3/4 45	M24	76.5	
5	125	EN80E EN125M	S3845	10 255	7 3/4 190	22 560	17 3/4 455	3 3/4 85	5 1/4 133	7 3/4 195	2 50	M24	100	
5 1/2	140	EN88E EN140M	S3849	11 280	7 7/8 200	23 1/2 600	19 1/4 490	3 1/2 90	5 3/4 146	8 3/4 215	2 1/4 55	M30	135	
6	150	EN96E EN150M	S3853	12 305	8 7/16 215	25 635	20 3/4 230	4 100	6 1/4 159	9 1/4 230	2 1/2 65	M30	205	

Customised versions of these units can be supplied - Specials made to order.