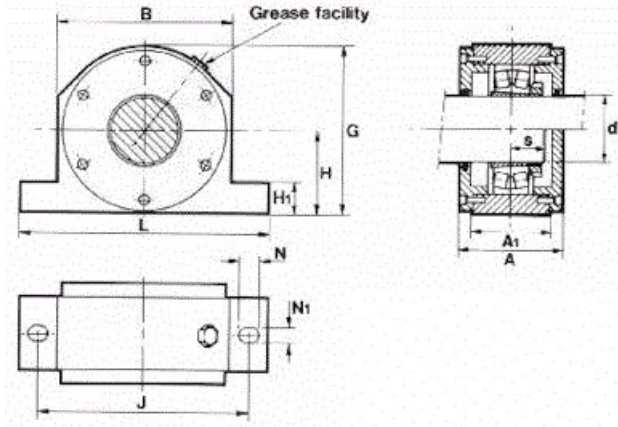
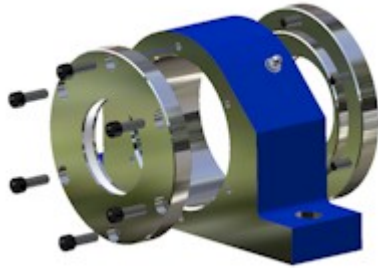


FLAME CUT STEEL BEARING HOUSINGS.

Fully interchangeable with SN style bearing housings.



Machined to receive parallel bore spherical roller bearings. Can be machined for 2 or 4 bolt fixings.

Shaft Dia d		Type	H	J	N1	N	A	L	A1	H1	B	G	S	Bearing	Adapter Sleeve	Locating Rings	
(mm)	(Inches)															No	Designation
45		FC 510	60	170	15	20	90	205	60	25	120	116		1210 2210 22210	H 210 H310 H 310	2	FRB 10.5/90
																2	FRB 9/90
																2	FRB 9/90
50	1 15/16, 2	FC 511	70	210	18	23	90	255	60	28	160	140	28	1211K 2211K 22211CK	H 211 H311 H 311	2	FRB 11.5/100
																2	FRB 9.5/100
																2	FRB 9.5/100
55		FC 512	70	210	18	23	95	255	65	30	170	140	30	1212K 2212K 22212K	H212 H312 H312	2	FRB 13/110
																2	FRB 10/1110
																2	FRB 10/110
60	2 3/16, 2 1/4	FC 513	80	230	18	23	105	275	70	30	190	160	33	1213K 2213K 22213CK	H213 H313 H313	2	FRB 14/120
																2	FRB 10/120
																2	FRB 10/120
65	2 7/16, 2 1/2	FC 515	80	230	18	23	105	280	70	30	190	160	34	1215K 2215K 22215CK	H215 H315 H315	2	FRB 15.5/130
																2	FRB 12.5/130
																2	FRB 12.5/130
70	2 11/16, 2 3/4	FC 516	95	260	22	27	110	315	75	32	210	190	37	1216K 2216K 22216CK	H216 H316 H316	2	FRB 16/140
																2	FRB 12.5/140
																2	FRB 12.5/140
75	2 15/16, 3	FC 517	95	260	22	27	115	320	85	32	210	190	40	1217K 2217K 22217CK	H217 H317 H317	2	FRB 16.5/150
																2	FRB 12.5/150
																2	FRB 12.5/150
80	3 3/16	FC 518	100	290	22	27	130	345	95	35	235	220	47	1218K 2218K 22218CK 23218CK	H218 H318 H318 H2318	2	FRB 17.5/160
																2	FRB 12.5/160
																2	FRB 12.5/160
																2	FRB 6.25/160
85	3 5/16, 3 1/4	FC 519	112	290	22	27	135	345	95	35	235	222	45	1219K 2219K 22219CK	H 219 H 319 H 319	2	FRB 18/170
																2	FRB 12.5/170
																2	FRB 12.5/170
90	3 7/16, 3	FC 520	112	320	26	32	145	380	105	40	260	222	53	1220K 2220K 22220CK 23220CK	H220 H320 H320 H2320	2	FRB 18/180
																2	FRB 12/180
																2	FRB 12/180
																2	FRB 4.85/180
100	3 15/16, 4	FC 522	125	350	26	32	155	410	110	45	290	250	58	1222K 2222K 22222CK 23222CK	H222 H322 H322 H2322	2	FRB 21/200
																2	FRB 13.5/200
																2	FRB 13.5/200
																2	FRB 5.1/200
110	4 3/16, 4 1/4	FC 524	140	350	26	32	170	410	120	45	120	280	62	22224CK/W33 23224CK/W33	H3124 H2324	2	FRB 22/215
																2	FRB 14/215
115	4 7/16, 4 1/2	FC 526	150	380	28	35	180	445	130	50	320	300	65	22226CK/W33 23226CK/W33	H3126 H 2326	2	FRB 5/230
																2	FRB 15/5/230
125	4 15/16, 5	FC 528	150	420	35	42	190	500	135	50	350	305	70	22228CK/W33 23228CK/W33	H 3128 H 2328	2	FRB 15/250
																2	FRB 5/250
135	5 3/16, 5 1/4	FC 530	160	450	35	42	200	530	145	60	370	325	76	22230CK/W33 23230CK/W33	H 3130 H2330	2	FRB 16.5/270
																2	FRB 16.5/270
140	5 7/16, 5 1/2	FC 532	170	470	35	42	220	550	160	600	390	345	82	22232CK/W33 23232CK/W33	H3132 H2332	2	FRB 17/290
																2	FRB 5/290