

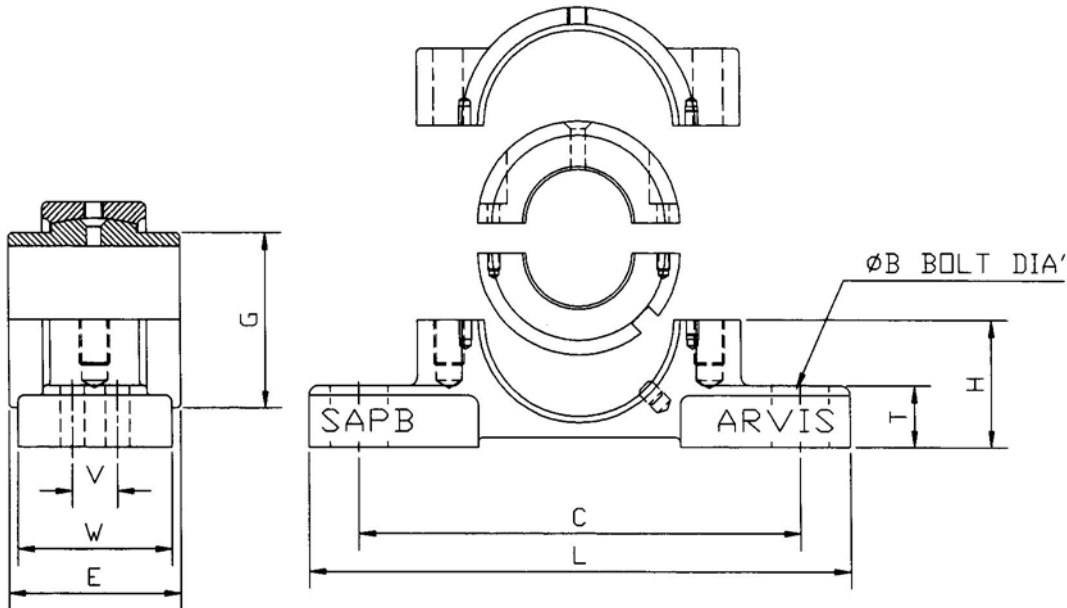
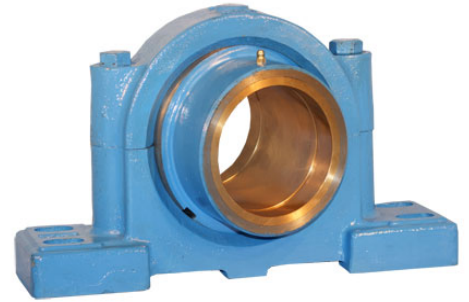
FULLY SPLIT SELF ALIGNING PLAIN BEARING UNITS

Can be supplied with most proprietary bush materials.

Housing groups 1 to 6 have two holding down bolts in the base.
Housing groups 7 and above have four holding down bolts in the base.

When ordering quote the group number and the suffix 'S' followed by the shaft size and the bush reference, e.g. SB6S75M-ORKOT.

Our sales staff will be pleased to assist.



R = OVERALL HEIGHT OF ASSEMBLED UNIT,

HOUSING GROUP	mm	Inch	E	G	L	C	V	H	R	W	T	B
1		1, 1 1/8	2	1 3/8	6 5/8	4 7/8		1 1/8	2 13/16	1 1/8	5/8	M10
	25		50	45	156	124		34.9	73	40	16	
2		1 1/4, 1 3/8, 1 1/2	2	2 1/4	7 1/16	5 3/4		1 1/8	3 3/16	1 3/4	11/16	M12
	30, 35		50	57	179	146		41.3	80	45	20	
3		1 5/8, 1 3/4	3	2 5/8	7 3/4	6 1/4		2	3 15/16	2	7/8	M12
	40, 45		76	67	196	159		50.8	100	50	22	
4		1 7/8, 2, 2 1/4	3 or 4	3 3/4	9 1/4	7 1/2		2 1/8	4 11/16	2 1/4	7/8	M16
	50,55,60		76 or 100	83	235	190		60.3	119	60	22	
5		2 1/2, 2 3/4	4	3 3/4	10	8 1/4		2 3/4	5 1/8	2 1/2	1	M20
	65,70		100	86	254	210		69.9	137	65	25	
6		3, 3 1/2	5 or 6	4 1/2	12 1/2	9 5/8		3 1/2	7	3 5/8	1 1/4	M20
	75,80,85		127 or 152	114	318	245		88.9	178	90	30	
7		4	6	5 1/8	13 1/2	11 1/4	2	4	7 5/8	4	1 3/8	M16
	90,100		152	130	343	285	50	101.6	194	100	35	
8		4 1/2, 5	7 1/2	6 1/4	15 1/2	12 3/8	2 3/4	4 3/4	9 1/2	5	1 1/2	M20
	110,115,125		190	159	394	315	70	120.7	240	125	40	
9		5 1/8, 6, 6 1/2	9	8 1/8	17 1/2	14 1/4	3 1/2	5 1/8	11 1/4	6	1 3/4	M24
	135,140,150		228	206	445	360	90	142.9	285	150	45	
10		7, 7 1/2, 8	10	10 1/2	23 3/4	19 1/2	4 1/4	7 1/4	14 1/2	8	2 1/2	M30
	175,180,200		254	267	603	495	110	184.2	368	200	65	
11		8 1/2, 9	13	11 3/8	24 5/8	20 1/2	5 1/4	8	16	9	3	M36
	220		330	299	625	520	145	203.2	406	230	75	
12		10, 10 1/2	15 1/2	13	25 1/2	21 1/4	6 3/4	8 3/4	17 1/2	10 1/2	3 1/2	M36
	250,260,300		394	330	648	540	170	222.3	445	270	90	

Customised or steel versions of these units can be supplied - Specials made to order